

# NBC-R4AC/15,0-93F/R4AC - Network cable



1199405

<https://www.phoenixcontact.com/us/products/1199405>

Please be informed that the data shown in this PDF document is generated from our online catalog. Please find the complete data in the user documentation. Our general terms of use for downloads are valid.



Network cable, degree of protection: IP20, cable length: 15 m, number of positions: 4, CAT5e, cable outlet: straight, Ethernet

## Commercial data

Item number	1199405
Packing unit	1 pc
Minimum order quantity	1 pc
Sales key	AB11
Product key	ABNABA
GTIN	4063151261740
Weight per piece (including packing)	22.22 g
Weight per piece (excluding packing)	852.8 g
Country of origin	US

1199405

<https://www.phoenixcontact.com/us/products/1199405>

## Technical data

### Product properties

Product type	Data cable preassembled
Sensor type	Ethernet
Number of positions	4
No. of cable outlets	1
Number of slots	1
Shielded	yes
Cable outlet	straight

### Electrical properties

Nominal voltage $U_N$	30 V AC
Nominal current $I_N$	1.5 A

### Mechanical properties

#### Mechanical data

Insertion/withdrawal cycles	$\geq 750$
-----------------------------	------------

### Material specifications

Flammability rating according to UL 94	V0
Outer sheath, material	TPE

### Connector

#### Connection 1

Type	Plug straight RJ45
Handle color	black
Material	(Contact)
	Gold (Contact surface)
	PVC (Housing)
Insertion/withdrawal cycles	$\geq 750$
Degree of protection	IP20

#### Connection 2

Type	Plug straight RJ45
Handle color	black
Material	(Contact)
	Gold (Contact surface)
	PVC (Housing)
Insertion/withdrawal cycles	$\geq 750$
Degree of protection	IP20
Ambient temperature (operation)	-40 °C ... 85 °C

# NBC-R4AC/15,0-93F/R4AC - Network cable




1199405

<https://www.phoenixcontact.com/us/products/1199405>

## Cable/line

Cable length	15.00 m
--------------	---------

### Highly flexible Ethernet CAT5e [93F]

Dimensional drawing	
Shielded	yes
UL AWM Style	2463 (80 °C / 600 V)
Cable type	Highly flexible Ethernet CAT5e
Cable type (abbreviation)	93F
Signal type/category	Ethernet CAT5e (TIA 568B)
Cable structure	2x2xAWG24/7, SF/UTP
External cable diameter	6.70 mm ±0.25 mm
Outer sheath, material	TPE
External sheath, color	Teal
Conductor material	Tin-plated Cu litz wires
Conductor structure signal line	7x 0.20 mm (7x32)
AWG signal line	24
Conductor cross section	2x 2x 0.2 mm <sup>2</sup>
Material wire insulation	PE
Wire diameter incl. insulation	1.2 mm
Single wire, color	white/orange-orange, white/green-green
Twisted pairs	2 cores to the pair
Overall twist	2 pairs to the core
Shielding	Aluminum-lined polyester foil, tinned copper braided shield
Optical shield covering	75 %
Nominal voltage, cable	600 V
Test voltage, cable	2000 V
Wave impedance	100 Ω ±15 Ω (at 100 MHz)
Cable impedance	100 Ω ±15 Ω (at 1 ... 100 MHz)
Number of bending cycles	1000000
Minimum bending radius, drag chain applications	10 x D
Traversing path	0.23 m
Traversing rate	1.5 m/s
Acceleration	20.5 m/s <sup>2</sup>
Number of bending cycles	20000000
Minimum bending radius, drag chain applications	20 X D

# NBC-R4AC/15,0-93F/R4AC - Network cable



1199405

<https://www.phoenixcontact.com/us/products/1199405>

Torsion force	360 °/m (1 lb. load)
Torsion cycles	3000000
Torsional frequency	71 (cycles/min)
Ambient temperature (operation)	20 °C
Near end crosstalk attenuation (NEXT)	50 dB (with 100 MHz (IEC 62153-4-9))
Return attenuation (RL)	20 dB (at 10 MHz (+6LOG))
	26 dB (at 20 MHz)
	26 dB (at 100 MHz (-5LOG))
Flame resistance	VW-1
Other resistance	Resistant to welding splashes (Abrasion and oil resistance)
	UV resistant (CMX outdoor)
Ambient temperature (operation)	-40 °C ... 80 °C (Cable, flexible installation)

## Environmental and real-life conditions

### Ambient conditions

Degree of protection	IP20 (RJ45 connector)
	IP20
Ambient temperature (operation)	-40 °C ... 85 °C (RJ45 connector)

# NBC-R4AC/15,0-93F/R4AC - Network cable

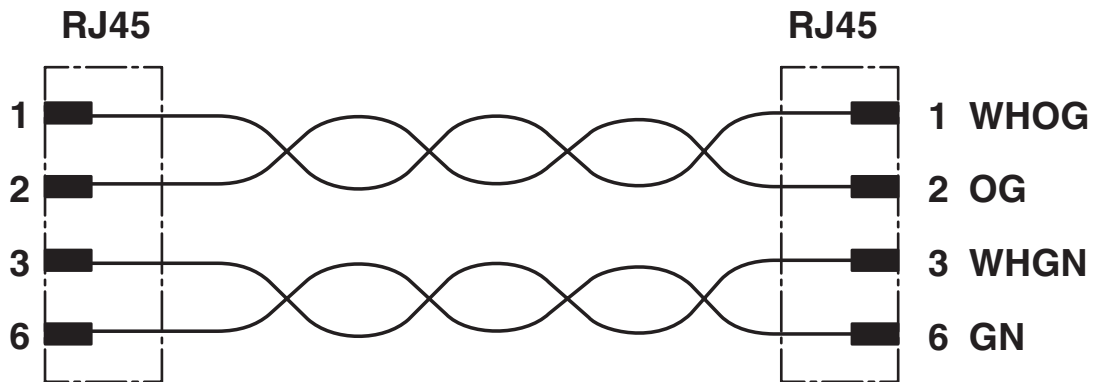
1199405

<https://www.phoenixcontact.com/us/products/1199405>



## Drawings

Circuit diagram



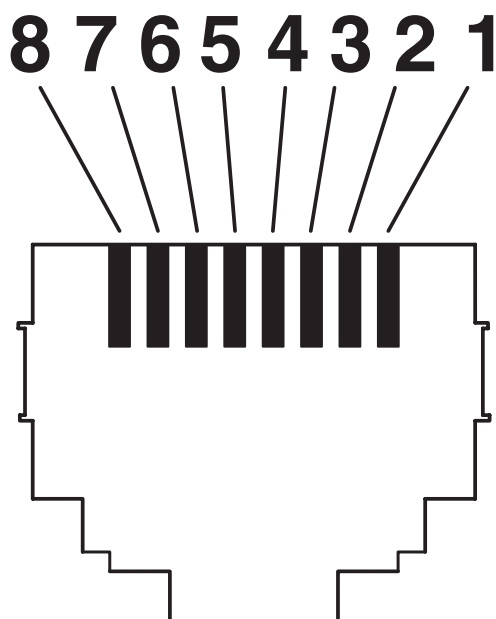
# NBC-R4AC/15,0-93F/R4AC - Network cable

1199405

<https://www.phoenixcontact.com/us/products/1199405>



Schematic diagram



Connector pin assignment plug RJ45

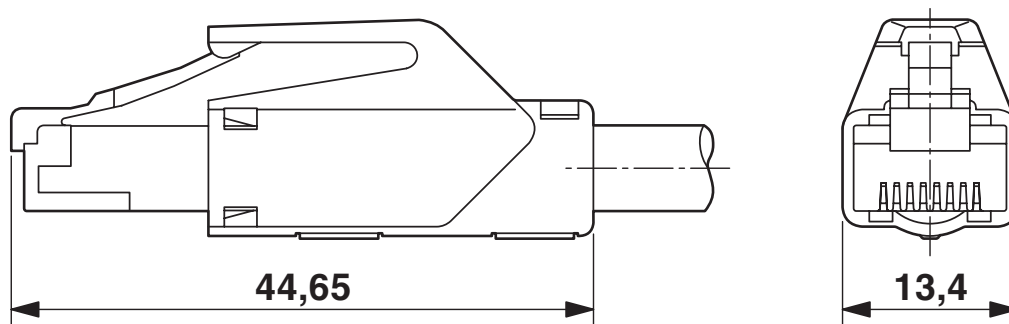
# NBC-R4AC/15,0-93F/R4AC - Network cable



1199405

<https://www.phoenixcontact.com/us/products/1199405>

Dimensional drawing



RJ45 connector, IP20

# NBC-R4AC/15,0-93F/R4AC - Network cable





1199405

<https://www.phoenixcontact.com/us/products/1199405>

## Approvals

To download certificates, visit the product detail page: <https://www.phoenixcontact.com/us/products/1199405>

 <b>UL Listed</b> Approval ID: File E335024				
	Nominal voltage $U_N$	Nominal current $I_N$	Cross section AWG	Cross section $\text{mm}^2$
	60 V	0.5 A	-	-

 <b>cUL Listed</b> Approval ID: File E335024				
	Nominal voltage $U_N$	Nominal current $I_N$	Cross section AWG	Cross section $\text{mm}^2$
	60 V	0.5 A	-	-

<b>cULus Listed</b>				
---------------------	--	--	--	--

# NBC-R4AC/15,0-93F/R4AC - Network cable



1199405

<https://www.phoenixcontact.com/us/products/1199405>

## Classifications

### ECLASS

ECLASS-11.0	27469090
ECLASS-12.0	27469090
ECLASS-13.0	27469090

### ETIM

ETIM 9.0	EC002943
----------	----------

# NBC-R4AC/15,0-93F/R4AC - Network cable



1199405

<https://www.phoenixcontact.com/us/products/1199405>

## Environmental product compliance

China RoHS	Environmentally friendly use period: unlimited = EFUP-e
	No hazardous substances above threshold values

Phoenix Contact 2024 © - all rights reserved  
<https://www.phoenixcontact.com>

Phoenix Contact USA  
586 Fulling Mill Road  
Middletown, PA 17057, United States  
(+717) 944-1300  
[info@phoenixcon.com](mailto:info@phoenixcon.com)